



MAR-APR  
2023

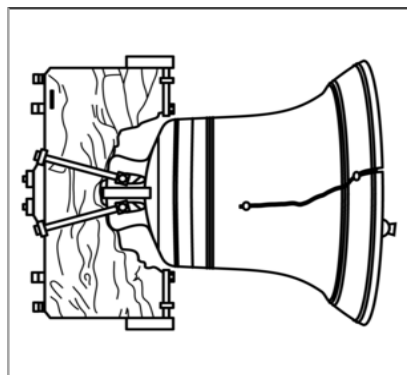
# VETERAN'S VOICE

Non Profit Org.  
US Postage Paid  
San Bernardino, CA  
Permit No. 1294



ELECTRONIC SERVICE REQUESTED

AMERICAN LEGION Post 421  
28309 Highland Avenue  
Highland, CA 92346



# VETERAN'S VOICE

MAR-APR

2023

Post 421  
Highland, CA (Est. 1932)  
The Friendliest Post in the 25th District  
(909) 862-8225

VOL. 2023 MAR

Mar-Apr 2023

Edited by Bill Chaddick. Published bi-monthly by the American Legion  
Highland Post 421 in the interest of American Veterans of all wars.

Postmaster: Please send change of address to:

AMERICAN LEGION POST 421

28309 HIGHLAND AVE, HIGHLAND, CA 92346.



Until they all  
come home.



POST LOCATION: 28309 HIGHLAND AVE, HIGHLAND, CA 92346

E-mail: [post421highland@gmail.com](mailto:post421highland@gmail.com)

ON THE WEB AT: [www.americanlegionpost421.org](http://www.americanlegionpost421.org)

ON FACEBOOK AT: [www.facebook.com/HighlandLegionPost421](https://www.facebook.com/HighlandLegionPost421)

ON INSTAGRAM AT: [www.instagram.com/HighlandAmericanLegionPost421](https://www.instagram.com/HighlandAmericanLegionPost421)



## AMERICAN LEGION POST 421



## POST 421 LEGION OFFICERS

|                                |                  |
|--------------------------------|------------------|
| Commander                      | Josie Thomas     |
| Jr. Past Commander             | Jim Bardaro      |
| 1 <sup>ST</sup> Vice Commander | Gary Tipton      |
| 2 <sup>ND</sup> Vice Commander | Will Ballesteros |
| Adjutant                       | Bill Chaddick    |
| Finance Officer                | Harry Miller     |
| Historian                      | Steve McGill     |
| Sergeant at Arms               | Henry Castaneda  |
| Chaplain                       | Rocky Torres     |
| Service Officer                | Edward Amaya     |
| Judge Advocate                 | Frank Page       |

## Executive Committee

Frank Page, Gil Marquez, Kevin Purdue

## POST 421 COMMANDER

Well, after receiving some needed rain and some great winter weather, Spring will be here, and the Legion year will end soon. That means it's time for members to step up and think about serving your fellow post members as officers. 1<sup>st</sup> nominations for elected offices, Commander, 1<sup>st</sup> and 2<sup>nd</sup> Vice Commanders will be at the March General Meeting. Those interested should contact Frank Page for screening by the Steering Committee. If you think you might better serve as one of the appointed officers, contact me or any present or former officer for details about your duties. You must be a current, 2023, card-carrying member to run for office or to vote. If you do not have a 2023 card, your membership has expired! Renew on-line or come to the Post to renew. We also depend on member volunteers for all our breakfasts, dinners and events. Please try to find some time to help out our under-staffed and over-worked volunteers.

FOR GOD AND COUNTRY!

Josie Thomas

## SPONSORS

SILKS • GIFTS

**HIGHLAND  
HOUSE OF FLOWERS**

www.HighlandHouseOfFlowers.com

3297 E. Highland Avenue  
Highland, CA 92346

(909) 864-4117  
1 (800) 874-2641

040 U.S. Individual Income Tax Return

**Jody Scott** *FILE*

Jody Scott Income Tax & Notary Service

**909-862-3839**

jodytax@yahoo.com

**M & M Carpets**

**FlooringAmerica**  
where friends send friends™

Bob Foster

Office (909) 862-2707 • Cell (909) 322-8059  
26827 Baseline St. • Highland, California 92346  
mmcarpetbob@yahoo.com • www.mmcarpethighland.com

BOOSTER CLUB for Years 2022 –2023

|                        |                 |                       |
|------------------------|-----------------|-----------------------|
| Jerry Cotton           | Rayfield Ozier  | Joe Sheehan           |
| Louise Martin          | D & L McCabe    | P & C Pfeifer         |
| Mike & Donna Mattox    | Karen Carlisle  | Kelly McKee           |
| Steve & Debbie Collins | Rebecca Moore   | Arlene Bourguignon    |
| Chris & Maggie Marin   | Lauri Ryan      | Steve & Wilbur McGill |
| Rocky & Melissa Torres | Don Huenfeld    | Mario Silva           |
| Bob&Arlene Tuel        | Joe Bridge      | Bill Annear           |
| Patty Scharnott        | Ruberta Sanchez | Madelaine Wahlstrom   |
| Tom & Anita Giltner    | Sylvia Sobolak  | Josie Thomas          |
| Connie Tate            | Dan Davis       | Lew & Evelyn Shedd    |
| Phil Sigler            |                 | Carol Brown           |



**Post Members Building New Highland Post 421  
1946**

### BOOSTER CLUB FOR YEAR 2022-2023

The Booster Club begins in July at \$5.00 per year which helps defray printing and mailing costs. This insures you will receive a printed bulletin, rather than an e-mailed copy.

Add a note with your dues payment and the \$5.00, to join the Booster Club, or mail it in separately if already paid. You may also join it at the canteen by providing your name, e-mail address and phone number, with the \$5.00. An officer or bartender will pass that to the editor and finance officer, and to me for system use.

### E-MAIL CHANGE

Due to various restrictions with sending e-mails by the [dslextreme.com](http://dslextreme.com) program, we have moved all data records to a [gmail.com](http://gmail.com) program.

Contact us at:

[post421highland@gmail.com](mailto:post421highland@gmail.com)

All Post 421 outgoing correspondence to any members will be sent from that e-mail address. This includes the VETERAN'S VOICE bi-monthly bulletin with calendar.

Paul Pfeifer  
Membership Coordinator - 909-862-5228



## AMERICAN LEGION POST 421



### APPOINTMENTS

#### Canteen Committee

|                |                     |
|----------------|---------------------|
| Frank Page     | Legion Chairman     |
| Gary Richards  | SAL                 |
| Bill Chaddick  | Legion              |
| Anna Hettinger | AUX Canteen Manager |

#### Building Committee

|                 |           |
|-----------------|-----------|
| Terry Welsh     | SAL-Chair |
| Mario Silva     | Legion    |
| Henry Castaneda | Legion    |
| Mike Ward       | SAL       |

### POST 421 1ST VICE COMMANDER

Calling all members. The 2023 membership campaign is still on-going with about 80% of members that have renewed. I will be calling those that have yet to renew, but in the meantime if you have not renewed now is the time to do so. Online is the easiest (My Legion.org) or you can stop by the post and see one of our wonderful bartenders for assistance in completing your renewal. Stay safe and warm during this unusual weather season.

Family, God country.

Gary Tipton

*Thank You!*

## WELCOME OUR NEWEST POST 421 LEGIONNAIRES

### WELCOME NEW POST 421 LEGIONNAIRES

#### NEW MEMBER SERVICE

Dave Garner  
USA

Larry Quiel  
USN

#### WAR ERA RECRUITER

Vietnam  
B. Chaddick

Vietnam  
Post 777 Transfer



Office: 909-894-7856  
Fax: 909-894-7966

JOSEPHINE THOMAS  
VETERAN SERVICE OFFICER

THE AMERICAN LEGION  
DEPARTMENT OF  
CALIFORNIA

Loma Linda VA Medical Center  
26001 Redlands Blvd  
Rm ID206  
Redlands, CA 92373

POST 421 has AMERICAN FLAGS and POW/MIA FLAGS for sale.  
We also have Legion Caps for sale. Call (909) 862-8225



## UNIT 421 AUXILIARY OFFICERS



President  
Jr Past President  
1<sup>st</sup> Vice President  
2<sup>nd</sup> Vice President  
Secretary  
Treasurer  
Chaplain  
Historian  
Parliamentarian  
Sergeant at Arms  
Marshall

Chris Marin  
Chris Marin  
Donna Mattox  
Vacant  
Aneta Giltner  
Jerry Cotton  
Stacey Ili  
Aneta Giltner  
Vacant  
Melissa Torres  
Vacant

## UNIT 421 PRESIDENT

There are many positive events going on at our Post, and I hope everyone is enjoying themselves as we support our veterans and their families. I want to start off by thanking our volunteers, whose hard work does not go unnoticed. There are a few important events coming up in the next two months. Our Diaper Drive is the first, with anyone bringing a package of diapers starting now, being eligible to win two complimentary future breakfasts OR dinners for two. Secondly, we will be serving a fish platter dinner in April, which will include cod, shrimp, hushpuppies slaw and a baked potato. Our breakfasts will always be the third Sunday of the month. Our election for officers will soon be upon us so please consider running to become an auxiliary officer! It's fun and you really learn about the yearly projects that support our veterans. We've made our 100% goal and are going strong! Take care everyone and I'll update you in two months. For God and country!

**Chris Marin**



SQUADRON 421 SONS of the  
AMERICAN LEGION OFFICERS



|                                |                    |
|--------------------------------|--------------------|
| Commander                      | Derek Bellefeuille |
| Jr Past Commander              | Jeff Chavis        |
| 1 <sup>st</sup> Vice Commander | Mike Mattox        |
| 2 <sup>nd</sup> Vice Commander | Vacant             |
| Adjutant                       | Lee Lombard        |
| Finance Officer                | Dan Bryson         |
| Chaplain                       | Rob Canton         |
| Historian                      | Vacant             |
| Sergeant at Arms               | Victor Webb        |
| Judge Advocate                 | Vacant             |

**SQUADRON 421 COMMANDER**

Welcome Spring! Hope this message finds all well. Starting with the March meeting, we will be having first nominations. If you're interested in running for an office with Sons of the American Legion, contact Lee Lombard. We are really close to our 100 percent goal for membership. If you haven't renewed your membership by now, you need to do so because you are not a member in good standing. We can also use volunteers for the SAL breakfast on the first Sunday of every month and our Friday dinners. Contact myself or Lee Lombard. Any help will be greatly appreciated. Looking forward to the months ahead and a Happy Easter to all. For God and Country.

Derek Bellefeuille

**MEMBERSHIP ELIGIBILITY** All male descendants adopted sons, and stepsons of members of The American Legion, and such male descendants of veterans who died in service during the period of April 6, 1917, through November 11, 1918, or any time from December 7, 1941, to date, who served honorably, as set forth in Article IV, Section 1, of the National Constitution of The American Legion, or who died subsequent to their honorable discharge from such service, shall be eligible for membership in the Sons of The American Legion. The American Legion eligibility dates Dec. 7, 1941 — To date April 6, 1917 — Nov. 11, 1918



**POST EVERLASTING**

GARY BROYLES – 6 DEC 1947 – 11 AUG 2022 –  
USAF – RVN

GERARD BOURGEOIS 16 AUG 1930 – 21 NOV 2022  
USAF – ROK

KEN COTTRELL – 7-28-1934 – 25 JAN 2023 – USAF –  
ROK - RVN

JOHN MILLER – 5 APR 1938 – 29 NOV 2022 – USAF  
RVN

SIDNEY KWOCK – 25 JAN 1925 – 18 FEB 2023 –  
USA – WW II

We mourn the loss of all our valiant comrades.



**SICK CALL**



WILL BALLESTEROS PHIL SIGLER  
MARYHELEN SANDOVAL DON HUENFELD  
EDUARDO GUIRADO STEVE COLEMAN



# March 2023



Renew Memberships Now!



| Sun   | Mon  | Tue                      | Wed                                   | Thu   | Fri   | Sat  |
|---|--|--------------------------|---------------------------------------|---|---|--|
| **BREAKFASTS<br>FEATURE<br>SAL-Eggs Benedict<br>LEGION-Omelets<br>AUX-Chicken Fried<br>Steak<br>POST-Pork Chops |  |                          | 1 Darts<br>7PM                        | 2   | 3 Legion Dinner<br>Chicken Fettuccini,<br>Salad, Roll 5-7PM<br>for \$9.00<br>Karaoke 7-11PM                     | 4  |
| 5**SAL Breakfast<br>9AM-12PM<br>Jack & Jill Darts 3PM   | 6 Canteen/Building<br>Meeting 5:45 PM<br>E-Board at 6:30PM | 7 Taco Tuesday<br>4-7PM  | 8 Darts<br>7PM                        | 9   | 10 AUX Dinner<br>Soup & Salad Bar<br>Cost-\$10 or *all you<br>can eat 5-7 PM<br>Karaoke 7-11PM                  | 11   |
| 12 <i>Daylight</i><br><i>Savings Time Begins</i><br>**Legion Breakfast<br>9AM-12PM                              | 13 Legion General<br>Meeting 6PM                           | 14 Taco Tuesday<br>4-7PM | 15 Steak Club<br>5-9 pm<br>Darts 7 PM | 16 Aux Spaghetti<br>Dinner,<br>\$8.00, 5-7 pm | 17 <i>St. Patrick's Day</i><br>SAL Dinner Corned<br>Beef & Cabbage<br>5-7 PM for \$10.00<br>Karaoke 7-11PM      | 18   |
| 19**AUX Break-<br>fast 9AM-12PM<br>Jack & Jill Darts 3PM  | 20 <i>Spring Begins</i><br>SAL General<br>Meeting 6PM      | 21 Taco Tuesday<br>4-7PM | 22 Darts<br>7PM                       | 23  | 24 Post Dinner<br>Steak, Baked Potato,<br>Salad & Roll 5-7PM<br>\$12<br>Soul Wagon Live<br>Band 7-10 PM         | 25   |
| 26**Post Break-<br>fast 9AM-12PM<br>Jack & Jill Darts 3PM   | 27AUX E-Board<br>Meeting 6:30PM<br>General Meeting<br>7PM  | 28 Taco Tuesday<br>4-7PM | 29 Darts<br>7PM                       | 30  | 31 Post Dinner<br>Shrimp Scampi,<br>Rice Pilaf, Veggie,<br>Cheese Bread 5-<br>7PM for \$12.00<br>Karaoke 7-11PM | * All You Can Eat<br>With Your Dona-<br>tion of Baby Dia-<br>per Package |

# April 2023



April 9th

April 1st



| Sun   | Mon  | Tue                      | Wed                                  | Thu   | Fri   | Sat |
|---|--|--------------------------|--------------------------------------|---|---|-----|
| **BREAKFASTS FE-<br>TURE<br>SAL-Eggs Benedict<br>LEGION-Omelets                   |  |                          |                                      |   |   | 1   |
| 2**SAL Breakfast<br>9AM-12PM<br>Jack & Jill Darts 3PM                             | 3 Canteen/Building<br>Meeting 5:45 PM<br>E-Board at 6:30PM | 4 Taco Tuesday<br>4-7PM  | 5 Darts<br>7PM                       | 6   | 7 Legion Dinner<br>Lasagna, Salad and<br>Garlic Bread,\$9.00<br>5-7 pm<br>Karaoke 7-11 pm                           | 8   |
| 9 <i>Easter Sunday</i><br>**Legion Breakfast<br>9AM-12PM<br>Jack & Jill Darts 3PM | 10 Legion General<br>Meeting 6PM                           | 11 Taco Tuesday<br>4-7PM | 12 Steak Club<br>5-9 PM<br>Darts 7PM | 13  | 14 AUX Dinner<br>Seafood Platter,<br>Hush Puppies, Slaw,<br>Fries 5-7PM \$12.00<br>Karaoke 7-11PM                   | 15  |
| 16**AUX Break-<br>fast 9AM-12PM<br>Jack & Jill Darts 3PM                          | 17 SAL General Meet-<br>ing 6PM                            | 18 Taco Tuesday<br>4-7PM | 19 Darts 7PM                         | 20 Aux Spaghetti<br>Dinner,<br>\$8.00, 5-7 pm | 21 SAL Dinner<br>Chicken Casserole<br>& Fixins 5-7PM for<br>\$9.00<br>Karaoke 7-11PM                                | 22  |
| 23**Post Breakfast<br>9AM-12PM<br>Jack & Jill Darts 3PM                           | 24 AUX E-Board<br>Meeting 6:30PM<br>General Meeting<br>7PM | 25 Taco Tuesday<br>4-7PM | 26 Darts 7PM                         | 27  | 28 Post Dinner<br>Chili Verde, Beans,<br>Rice, Candice Salsa<br>From 5-7PM, \$11<br>Soul Wagon Live<br>Band 7-10 PM | 29  |
| 30**Post Breakfast<br>9AM-12PM<br>Jack & Jill Darts 3PM                           |  |                          |                                      |   |   |     |